

**PRO3200  
(PRO32IC)  
Intelligent Controller  
Installation and Configuration Guide**

**Copyright © 2013 Honeywell. All rights reserved.**

All product and brand names are the service marks, trademarks, registered trademarks, or registered service marks of their respective owners. Printed in the United States of America. Honeywell reserves the right to change any information in this document at any time without prior notice.

WIN-PAK® is a trademark of Honeywell, Inc.

### **Ordering Information**

Please contact your local Honeywell representative or visit us on the web at [www.honeywellaccess.com](http://www.honeywellaccess.com) for information about ordering.

### **Feedback**

Honeywell appreciates your comments about this manual. Please visit us on the web at [www.honeywellaccess.com](http://www.honeywellaccess.com) to post your comments.

---

# CONTENTS



<b>1 Notices</b> .....	<b>2</b>
1.1 Warnings and Cautions .....	2
1.2 Damage During Shipment .....	3
1.3 Electro Static Discharge .....	3
1.4 Disclaimer – Product Liability; Mutual Indemnification .....	4
1.5 Unpacking Procedure .....	4
1.6 Shipping Instructions .....	5
1.7 Limited Warranty .....	5
1.8 Confidentiality .....	6
1.9 Compliance .....	7
<b>2 Product Overview</b> .....	<b>8</b>
2.1 PRO3200 and PRO2200 .....	8
2.2 Port Settings .....	8
2.3 Other .....	8
<b>3 Setting Up the PRO3200 Hardware</b> .....	<b>10</b>
3.1 Setting the Jumpers .....	10
3.2 Setting the DIP Switches .....	11
3.3 Technical Specifications .....	13
3.4 Status LEDs .....	14
3.5 Supplying Power to the PRO3200 Interface .....	15
3.6 Communications Wiring .....	16
3.7 Cabinet Tamper and Power Failure Input Wiring .....	16
3.8 Memory and Real Time Clock Backup Battery .....	16
<b>4 System Configuration via Web Interface</b> .....	<b>17</b>
4.1 Connecting to ACDSM for the First Time .....	17
4.2 Login Page .....	17
4.3 Home Page .....	18
4.4 Network Settings .....	19
4.5 Host Port .....	20
4.6 Device Information .....	24
4.7 User Configuration .....	25
4.8 Restore Default Screen .....	26
4.9 Apply Setting Screen .....	27
4.10 Log Out .....	27

---

*(This page is left blank intentionally for double-sided printing.)*

---

# LIST OF FIGURES



Figure 1: PRO3200 Connections, LEDs, and DIP Switches . . . . .	9
Figure 2: PRO3200 Power Terminals . . . . .	15
Figure 3: PRO3200 Port Wiring . . . . .	16
Figure 4: PRO3200 TMP and FLT Terminals . . . . .	16
Figure 5: PRO3200 Web Server Login Screen . . . . .	17
Figure 6: PRO3200 Web Server Home Page . . . . .	18
Figure 7: PRO3200 Web Server Network Settings Screen . . . . .	19
Figure 8: PRO3200 Host Port Configuration Screen with IP Server Connection .	20
Figure 9: PRO3200 Host Port Configuration Screen with IP Client Connection .	22
Figure 10: PRO3200 Host Port Configuration with Serial RS-232 Connection . .	23
Figure 11: PRO3200 Web Server Device HW Info Screen . . . . .	24
Figure 12: PRO3200 Web Server User Info Screen . . . . .	25
Figure 13: PRO3200 Web Server Restore Default Screen . . . . .	26
Figure 14: PRO3200 Web Server Apply Setting Screen . . . . .	27

---

# LIST OF TABLES



Table 1	PRO3200 Jumper Settings .....	10
Table 2	PRO3200 DIP Switch Settings .....	11
Table 3	PRO3200 Technical Specifications .....	13
Table 4	PRO3200 Status LED Combinations During Initialization .....	14
Table 5	PRO3200 Status LED Combinations During Run Time .....	15

---

# PRO3200 Installation



## In this chapter...

Notices	2
Product Overview	8
Setting Up the PRO3200 Hardware	10
System Configuration via Web Interface	17

# 1 Notices

## 1.1 Warnings and Cautions



**Note:** See the Remote Enclosure Installation Manuals PPRO22ENC1, PRO22ENC2, PRO22ENC3 or PRO22ENC5 for installation instructions.

### Before Installation



**Warning:** Before installation, **TURN OFF** the external circuit breaker which supplies power to the system.

Before connecting the device to the power supply, verify that the output voltage is within specifications of the power supply (see '[Technical Specifications](#)' on page 13).

Do not apply power to the system until **after** the installation has been completed. Personal injury or death can occur, and the equipment can be damaged beyond repair, if this precaution is not observed.

### Fire Safety and Liability Notice



**Warning:** Never connect card readers to any critical entry, exit door, barrier, elevator or gate without providing **an alternative exit** in accordance with all the fire and life safety codes pertinent to the installation.

These fire and safety codes vary from city to city and you must get approval from local fire officials whenever using an electronic product to control a door or other barrier. Use of egress buttons, for example, may be illegal in some cities. In most applications, single action exit without prior knowledge of what to do is a life safety requirement. Always make certain that any required approvals are obtained in writing. **DO NOT ACCEPT VERBAL APPROVALS SINCE THEY ARE NOT VALID.**

Honeywell never recommends using the PRO3200 or related products for use as a primary warning or monitoring system. Primary warning or monitoring systems should always meet the local fire and safety code requirements. The installer must also test the system on a regular basis by instructing the end user in appropriate daily testing procedures. Failure to test a system regularly could make the installer liable for damages to the end user if a problem occurs.

### Earth Grounding



**Warning:** **EARTH** ground all enclosures for proper installation.

### Use Suppressors



**Warning:** Use suppressors on all door strikes. Use S-4 suppressors for installation. Honeywell recommends only DC strikes.



## UL Warnings



**Warning:** Wiring methods shall be in accordance with the National Electrical Code (ANSI/NFPA70):

- All interconnecting devices must be UL Listed.
- Not Evaluated by UL for fire, life safety, or burglary applications.
- Do Not Connect To A Receptacle Controlled By A Switch.
- All interconnecting wire must be UL/ULC Listed, rated and suitable for the use.
- The battery leads and primary AC main power wiring is non-power limited. This wiring must be separated from all other wiring by at least .25" and cannot be installed in the same conduit as any other power limited wiring.
- Replacement 3 volt lithium coin cell must be one of the following:
  - Rayovac: BR2325 or BR2335-B
- The system must be configured to activate an alarm or trouble signal. Failure to do so will not allow the access function to operate in the event of a tamper.

## 1.2 Damage During Shipment



**Caution:** IF ANY DAMAGE TO THE SHIPMENT IS NOTICED, A CLAIM MUST BE FILED WITH THE COMMERCIAL CARRIER RESPONSIBLE FOR THE DAMAGE.

## 1.3 Electro Static Discharge



**Caution:** Electro-static discharge (ESD) can damage CMOS integrated circuits and modules.

To prevent damage always follow these procedures:

- Use static shield packaging and containers to transport all electronic components, including completed reader assemblies.
- Handle all ESD sensitive components at an approved static-controlled workstation. These workstations consist of a desk mat, floor mat and an ESD wrist strap. Workstations are available from various vendors.



**Note:** This equipment has been tested and found to comply with the limits for a Class A digital device, pursuant to part 15 of the FCC Rules. These limits are designed to provide reasonable protection against harmful interference when the equipment is operated in a commercial environment. This equipment generates, uses, and can radiate radio frequency energy and, if not installed and used in accordance with the installation and user guides, may cause harmful interference to radio communications. Operation of this equipment in a residential area is likely to cause harmful interference in which case the user will be required to correct the interference at his own expense.



**Note:** This document and the data in it shall not be duplicated, used or disclosed to others for procurement or manufacturing, except as authorized by and with the written permission of Honeywell. The information contained in this document or in the product itself is the exclusive property and trade secrets of Honeywell. Copyright laws of the United States protect all information in this document or in the software product itself.



**Note:** Any use of this product is subject to the terms and acceptance of the Honeywell Software Agreement. Please request a copy from Honeywell (<http://www.honeywellaccess.com>), and review the agreement carefully.

## 1.4 Disclaimer – Product Liability; Mutual Indemnification

If a Customer receives a claim that a Product or any component thereof has caused personal injury or damage to the property of others, Customer shall immediately notify Honeywell in writing of all such claims. Honeywell shall defend or settle such claims and shall indemnify and hold Customer harmless for any costs or damages including reasonable attorneys' fees which Customer may be required to pay as a result of the defective Product or the negligence of Honeywell, its agents, or its employees.

Customer shall hold harmless and indemnify Honeywell from and against all claims, demands, losses and liability arising out of damage to property or injury to persons occasioned by or in connection with the acts or omissions of Customer and its agents and employees, and from and against all claims, demands, losses and liability for costs of fees, including reasonable attorneys' fees, in connection therewith.

## 1.5 Unpacking Procedure



**Caution:** If any damage to the shipment is noticed before unpacking, a claim must be filed with the commercial carrier.

All containers should be opened and unpacked carefully in order to prevent damage to the contents.

Follow these steps to unpack equipment in preparation for installation:

1. Open the container and remove the unit(s) and all packing material. Retain the container and all the packing materials. They may be used again for reshipment of the equipment, if needed.
2. Inspect the contents to see if anything is missing. If you notice any missing items, contact the order entry department at 1-800-323-4576 and follow the prompts.
3. Visually check the contents. If you see any damage, do the following:
  - a. If shipping has caused damage to the unit, a claim must be filed with the commercial carrier.
  - b. If any other defect is apparent, call for a return authorization.

## 1.6 Shipping Instructions

To ship equipment back to Honeywell, contact the customer service department at 1-800-323-4576 before returning the equipment. When you call, please have available:

- A description of the problem or the reason you are returning the equipment.
- Your original purchase order number, invoice number and if the unit is still under warranty.
- A new purchase order number if the unit is not under warranty

From the customer service department, obtain the **Return Authorization Number (RMA)**.

Show the RMA number on all packages shipped. Packages, which are not marked with an RMA number will be refused at the factory and returned to you **COD**.

Carefully pack the equipment for shipment. Use the original packing material whenever possible

## 1.7 Limited Warranty

All Products sold or licensed by Honeywell include a **warranty registration card** which must be completed and returned to Honeywell by or on behalf of the end user for Honeywell to provide warranty service, repair, credit or exchange. All warranty work shall be handled through Customer which shall notify Honeywell and apply for a Return Merchandise Authorization (RMA) number prior to returning any Product for service, repair, credit or exchange. Honeywell warrants that its Products shall be free from defects in materials and workmanship for a period of two years from the date of shipment of the Product to Customer. The warranty on Terminals, Printers, Communications Products and Upgrade kits is 90 days from the date of shipment. Satisfaction of this warranty shall be limited to repair or replacement of Products which are defective or defective under normal use. Honeywell's warranty shall not extend to any Product which, upon examination, is determined to be defective as a result of misuse, improper storage, incorrect installation, operation or maintenance, alteration, modification, accident or unusual deterioration of the Product due to physical environments in excess of the limits set forth in Product manuals. THERE ARE NO WARRANTIES WHICH EXTEND BEYOND THIS PROVISION. THIS WARRANTY IS IN LIEU OF ALL OTHER WARRANTIES WHETHER EXPRESS, IMPLIED OR STATUTORY, INCLUDING IMPLIED WARRANTIES OF MERCHANTABILITY OR FITNESS FOR ANY PARTICULAR PURPOSE. NO REPRESENTATION OR WARRANTY OF THE DISTRIBUTOR SHALL EXTEND THE LIABILITY OR RESPONSIBILITY OF THE MANUFACTURER BEYOND THE TERMS OF THIS PROVISION. IN NO EVENT SHALL HONEYWELL BE LIABLE FOR ANY RE-PROCUREMENT COSTS, LOSS OF PROFITS, LOSS OF USE, INCIDENTAL, CONSEQUENTIAL OR SPECIAL DAMAGES TO ANY PERSON RESULTING FROM THE USE OF HONEYWELL'S PRODUCTS.

## **1.8 Confidentiality**

All software, drawings, diagrams, specifications, catalogs, literature, manuals and other materials furnished by Honeywell relating to the design, use and service of the Products shall remain confidential and shall constitute the proprietary rights of Honeywell and Customer agrees to treat such information as confidential. Customer shall acquire no rights in the design of the Products or the related materials except to use such information solely for the purpose of and only during the time it sells the Products.

Customer shall not copy the design of any of the Products or use or cause to be used any Product design or related materials for its own benefit or for the benefit of any other party. The covenants contained in this section shall remain effective throughout the term of this Agreement and thereafter unless specifically waived by Honeywell in writing.

## **1.9 Compliance**

To obtain applicable EU compliance Declaration of Conformities for this product, please refer to our website, <http://www.security.honeywell.com/hsce/international/index.html>.

For any additional information regarding the compliance of this product to any EU-specific requirements, please contact:

### **Honeywell Security & Communications**

Honeywell Security - Quality Assurance Dept., Newhouse Industrial Estate

Motherwell

Lanarkshire ML1 5SB

Scotland

United Kingdom

Tel: +44(0) 1698 738200

Email: [UK64Sales@Honeywell.com](mailto:UK64Sales@Honeywell.com)

## 2 Product Overview

The Intelligent Controller is the heart of the PRO3200 and provides the real time processing for the connected I/O interfaces.

The PRO3200 is designed to operate without the need for a PC. It can be connected to a WIN-PAK host computer using direct serial communication, dial-up modem, or TCP/IP network connection. The PRO3200 holds the database for the subsystem configuration and card holders, and the event log buffer, which is in battery-backed memory.

### 2.1 PRO3200 and PRO2200

- The PRO3200 controller configuration and operation is similar to the PRO2200 controller; both use the Pro-Watch at the front end.
- You can use the PRO2200 controller interface to configure the PRO3200 hardware settings.



**Note:** The PRO32IC controller is compatible with the following Honeywell modules: PRO22R1, PRO22IN, PRO22OUT, PRO22R2, PRO32R2, PRO32IN, and PRO32OUT.

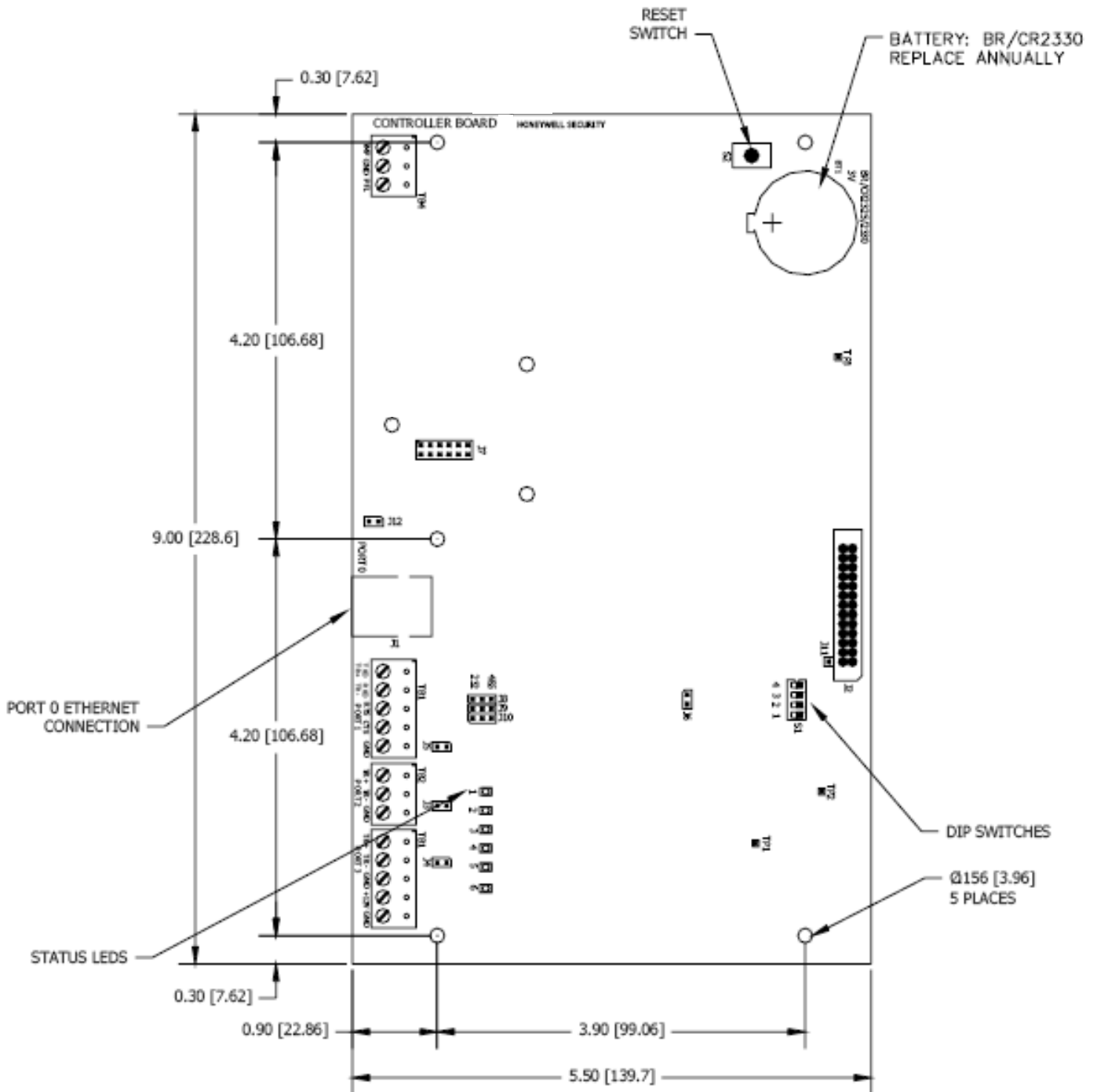
### 2.2 Port Settings

- **Port 0** provides the host-embedded Ethernet interface.
- **Port 1** is for RS-232 or RS-485 2-wire serial interface connections.
- **Ports 2 and 3** are for RS-485 2-wire downstream support for connecting 32 I/O devices. See Table 1 '[PRO3200 Jumper Settings](#)' on page 10 for more information on how to configure the port settings.

### 2.3 Other

- An on-board real time clock maintains the date and time, taking into account leap year and accounting for global time zones and daylight savings time changes.
- The database for the system configuration and card holders are stored in FLASH memory.
- The event log buffer is stored in battery-backed memory.
- Configuration data and event/status reports are communicated to the host via on-board 10-BaseT/100Base-TX Ethernet port or Port 1.
- Transactions are stored in 1 MB of battery-backed SRAM. The maximum number of transactions stored while the host is offline is 50,000.
- Cards are stored in Flash memory and read into DRAM when the board is powered up. The amount of storage available for cards and biometric records is 15 MB. The maximum number of cards depends on the card record database configuration, but the number is approximately 300,000. This maximum is dependent on how the card is configured with more space per card used with longer card number, more clearance codes, and so on.

Figure 1: PRO3200 Connections, LEDs, and DIP Switches



## 3 Setting Up the PRO3200 Hardware

The PRO3200 processor is configured with 12 jumpers and a set of 4 DIP switches. These jumpers/switches set up the port interface, end of line termination, and operating mode configuration. Refer to the tables below to set the jumpers as required.

### 3.1 Setting the Jumpers

*Table 1 PRO3200 Jumper Settings*

<b>Jumpers</b>	<b>Set At</b>	<b>Description</b>
<b>J1</b>	N/A	Factory Use only.
<b>J2</b>	N/A	Factory Use Only
<b>J3</b>	OFF	Port 2 RS-485 EOL Terminator is OFF
	ON	Port 2 RS-485 EOL Terminator is ON
<b>J4</b>	OFF	Port 3 RS-485 EOL Terminator is OFF
	ON	Port 3 RS-485 EOL Terminator is ON
<b>J5</b>	OFF	Port 1 RS-485 EOL Terminator is OFF
	ON	Port 1 RS-485 EOL Terminator is ON
<b>J6</b>	N/A	Factory Use Only
<b>J7</b>	N/A	Factory Use only.
<b>J8, J9, J10</b>	232	Port 1 is RS-232
	485	Port 1 is RS-485
<b>J11</b>	N/A	Factory Use Only
<b>J12</b>	N/A	Factory Use Only



## 3.2 Setting the DIP Switches

Dual In-line Package (DIP) switches are read when the system powers up, except where noted otherwise. The following table shows the setting options.

**Table 2 PRO3200 DIP Switch Settings**


S1	S2	S3	S4	Selection
OFF	OFF	OFF	OFF	Normal Operating Mode.
ON	OFF	OFF	OFF	When DIP switch 1 is ON, Port 0 communicates with the web browser. Port 1 is used for RS-232/485 communications. After the panel initialization, enable the default user name (admin) and password (password). The user name and password are read dynamically; you do not need to reboot the panel.
OFF	ON	OFF	OFF	Use the factory default communication parameters.
ON	ON	OFF	OFF	Unless the network administrator reserves an IP address for the panel (based on the controller board's Media Access Control (MAC) address), the PRO3200 uses Dynamic Host Configuration Protocol (DHCP) to obtain an IP address from the network DHCP server.  When power is applied with the switches in this position, there is a ten second window (when LEDs 1 and 2 flash alternately with LEDs 3 and 4), during which memory is cleared if switch 1 or switch 2 is changed to OFF. When switch 1 or 2 is changed to OFF, only LED 2 flashes and memory begins to be cleared. This period of clearing lasts several minutes. When the memory has been cleared, the LED pattern changes to the flashing of LEDs 1 and 4. The panel then reboots by itself. All data in memory is erased except the serial number, MAC address, hardware revision, and OEM code.

The PRO3200 DIP switches need to be set twice:

1. Configure the **S4-S3-S2-S1** DIP switches to **off-off-on-off** to set the default TCP/IP address to 192.168.0.251.
2. Apply power to the panel to set the IP address.
3. Change the **S4-S3-S2-S1** combination to **off-off-off-on**.(DIP switch 1 is “read on the fly”). This sets the login to the default user ID (“admin”) and password (“password”) for Ethernet communications.
4. Create users. See '[User Configuration](#)' on page 25 for instructions.
5. Set the **S4-S3-S2-S1** combination to **off-off-off-off**.
6. Configure the host port for TCP/IP and/or Serial communications. See '[Host Port](#)' on page 20 for instructions. This will enable both TCP/IP and serial hardware networking when you log in again.

### 3.3 Technical Specifications

*Table 3 PRO3200 Technical Specifications*

Category	Description
	<b>WARNING: PRO3200 is manufactured for use in low-voltage, Class 2 circuits only.</b>
<b>Primary Power</b>	12Vdc nominal with an operating range of 10 to 14Vdc., 300mA maximum. 12Vdc @ 240mA (325mA with CoBox-Micro) nominal.
<b>Memory and Clock Backup</b>	3Volts Lithium, type BR2325, BR2330, CR2330.
<b>Ports</b>	<p><b>Port 0</b>            10Base-T/100Base-TX Ethernet.</p> <p><b>Port 1</b>            RS-232 or 2-wire RS-485: 9,600 to 115,200 bps, async.</p> <p><b>Port 2 &amp; 3</b>        2-wire RS-485: 2,400 to 38,400 bps, async.</p>
<b>Inputs</b>	2 non-supervised, dedicated for cabinet tamper and power fault monitoring.
<b>Cable requirements</b>	<p><b>Power:</b>            1 twisted pair, 18 AWG.</p> <p><b>RS-485:</b>           24AWG, 4,000ft (1,200m) maximum, twisted pair with shield. 120 ohm.</p> <p><b>RS-232:</b>           24AWG, 25ft (7.6m) maximum.</p> <p><b>Ethernet:</b>         Cat 5.</p> <p><b>Alarm input:</b>     1 twisted pair, 30 ohms maximum.</p>
<b>Environmental</b>	<p><b>Temperature:</b>    0 to 49°C, operating                          -55 to +85°C, storage</p> <p><b>Humidity:</b>        0 to 85% RHNC</p>
<b>Mechanical</b>	<p><b>Dimensions:</b>    5.5 in. (137.7mm) W x 9 in. (228.6.4mm) L                          x .75 in. (19.05mm) H</p> <p><b>Weight:</b>           7.1 oz. (201 gm) nominal</p>
<b>Specifications subject to change without notice.</b>	



**Caution:** Locate the power source as close to this board as possible. Connect power with minimum of 18AWG wires.



**Note:** POLARITY for 12 VDC power is important. Make sure the +12 VDC is connected to the terminal labeled +12V and the return is connected to the terminal labeled GND.

### 3.4 Status LEDs

The PRO3200 uses six on-board LEDs to provide status information during its initialization sequence and normal run-time operation.

#### Initialization

*Table 4 PRO3200 Status LED Combinations During Initialization*

LED 1	LED 2	LED 3	LED 4	LED 5	LED 6	Description
ON	OFF	OFF	OFF	OFF	OFF	Basic processor initialization
ON	ON	OFF	OFF	OFF	OFF	Internal SRAM test
ON	OFF	ON	OFF	OFF	OFF	External SDRAM, First Chip
ON	ON	ON	OFF	OFF	OFF	External FLASH Test
ON	OFF	OFF	ON	OFF	OFF	External SDRAM, Second
ON	ON	OFF	ON	OFF	OFF	External SRAM Test
ON	OFF	ON	ON	OFF	OFF	External EEPROM Test
ON	ON	ON	ON	OFF	OFF	External RTC Test
ON	OFF	OFF	OFF	ON	OFF	Backup Battery and Reset
ON	ON	OFF	OFF	ON	OFF	UART Test
ON	OFF	ON	OFF	ON	OFF	Ethernet Interface, MII
OFF	ON	X	X	X	X	Final processor Initialization

## Run Time Supplying Power to the PRO3200 Interface

*Table 5 PRO3200 Status LED Combinations During Run Time*

LED	Description
1	Off-Line / On-Line and Battery Status
	Off-Line = 20% On, ON-Line = 80% On
	Double Flash means the Battery is Low
2	Primary Host Communication Activity (Ethernet or Port 1)
3	Port 2 Communication Activity
4	Port 3 Communication Activity
5	ON = Writing to Flash Memory. Do NOT cut off power when this LED is ON.
6	TBD
SPD	On-Board Ethernet Speed. OFF = 10MBS. ON = 100MBS.
ACT	OFF = No On-Board Ethernet Activity. ON = On-Board Ethernet Activity (YELLOW LED).
LNK	OFF = ON Link. ON = Good Link (GREEN LED).

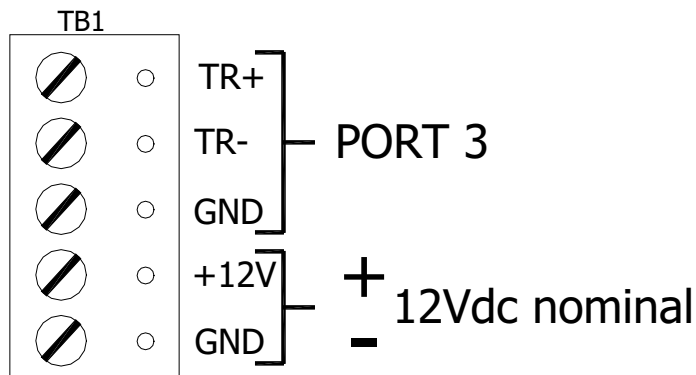
### 3.5 Supplying Power to the PRO3200 Interface

The processor accepts 12Vdc for power. Locate power source as close to the unit as possible and connect it with minimum of 18AWG wires.



**Caution:** Observe POLARITY on 12 VDC.

*Figure 2: PRO3200 Power Terminals*

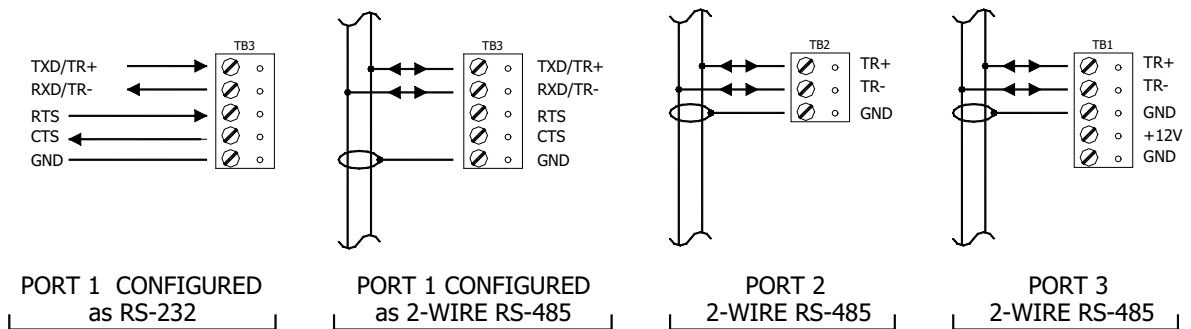


### 3.6 Communications Wiring

The PRO3200 processor communicates to the host via on-board Ethernet 10Base-T/100Base-TX port or on port 1. Port 1 may be configured as RS-232, two-wire RS-485. The RS-232 interface is for direct one to one connection to a host computer, or a modem.

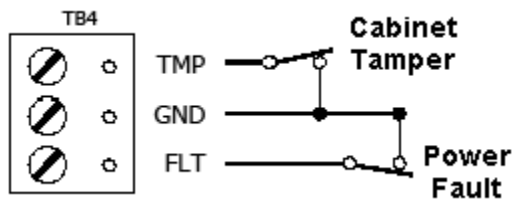
Ports 2 and 3 use the two-wire RS-485 interface only. The interface allows multi-drop communication on a single bus of up to 4,000 feet (1,200 meters). Use shielded twisted pair (minimum 24 AWG) with 120-ohm impedance. Install termination jumpers only at the end-of-line unit.

Figure 3: PRO3200 Port Wiring



### 3.7 Cabinet Tamper and Power Failure Input Wiring

Figure 4: PRO3200 TMP and FLT Terminals



Inputs TMP and FLT are used for monitoring cabinet tamper and power failure with normally closed contacts. These two inputs are for contact closure monitoring only; do not use end-of-line (EOL) resistor(s). If these inputs are not used, install a short piece of wire at the input to indicate a safe condition.

### 3.8 Memory and Real Time Clock Backup Battery

The event log buffer and the real time clock are backed up by a 3V lithium battery. This BR2325, BR2330, or CR2330 battery should be replaced annually. A replacement battery may be obtained from Honeywell or a local battery retailer. However, the replacement battery must be UL recognized.



**Warning:** Battery may explode if mistreated. DO NOT RECHARGE, DISASSEMBLE or DISPOSE OF IN FIRE!

## 4 System Configuration via Web Interface

The PRO3200 comes with **Access Control Device Server Manager (ACDSM)**. The ACDSM is a built-in web server, through which you can configure network and other system settings.



### Notes:

- If you are using Internet Explorer Enhanced Security Configuration, you cannot access the ACDSM web server. All pages will display “Bad Request!” You must uninstall the Enhanced Security option before you can access the ACDSM.
- The default factory-set TCP/IP address for the built-in system configuration web server is **192.168.0.251**

### 4.1 Connecting to ACDSM for the First Time

1. Use the factory default controller IP address **192.168.0.251**.
2. Set the DIP switches to **S4=OFF, S3=OFF, S2=ON, S1=OFF**.



**Note:** S1 must be set to OFF for the factory default. After the panel powers up, change S1 to ON to enable the use of the default user name and password.

3. Connect the computer to host the web server via Ethernet **Port 0**. Connection should be via crossover Ethernet cable or by the regular Ethernet cables connected via the hub.
4. Set the host computer to the static IP address **192.168.0.250** to be able to connect to the factory-default PRO3200 controller at address **192.168.0.251**.
5. Power up the PRO3200 controller.

### 4.2 Login Page

1. Click the “**Click Here to Login**” link to display the **User Name** and **Password** fields.

Figure 5: PRO3200 Web Server Login Screen



2. Enter your **User Name** and **Password**.

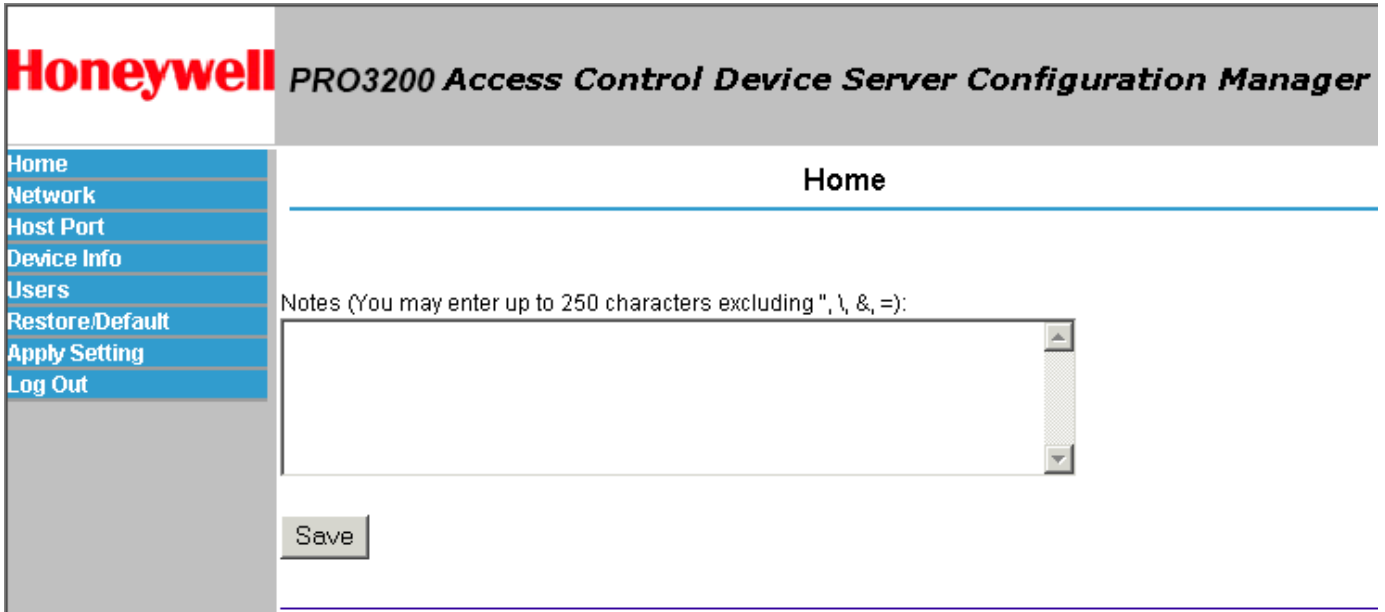


**Note:** Default User ID is **admin** and the default Password is **password**.

### 4.3 Home Page

The first screen after the login is the home page which displays all the available configuration links on the left navigation bar:

Figure 6: PRO3200 Web Server Home Page





## 4.4 Network Settings

Click the **Network** link on the navigation bar to display the Network Settings screen where you can select the appropriate option button for dynamic or static IP address configuration:

Figure 7: PRO3200 Web Server Network Settings Screen

**Network Settings: IP Configuration**

Use DHCP Method to Obtain IP address automatically

Host Name of This Device:

(only 0-9, a-z, A-Z, .(dot), -(hyphen) are allowed)

Use Static IP configuration:

IP Address:

Subnet Mask:

Default Gateway:



### Notes:

- The Host Name of This Device field contains the Media Access Control (MAC) address of the PRO3200 controller board.
- The users can select the **Dynamic IP** option button and reserve an IP address for the MAC address, or they can select the other option button and assign a **Static IP** address as well.

### Dynamic IP Configuration Method

1. Click the **Dynamic IP** option button to select the Dynamic Host Configuration Protocol (DHCP) method to obtain IP address automatically.
2. Click **OK**.



**Note:** The WIN-PAK communicates with the PRO3200 panel using an IP address. If you must use the Dynamic IP option because of your network policies or configuration, you must reserve an IP address at the DHCP server for the MAC (Media Access Control) address in the PRO3200 panel. The MAC address is a unique identifier attached to network adapters. Each time the PRO3200 panel requests an IP address, the DHCP server will assign the address that was reserved for it.

### Static IP Configuration Method

1. Click the **Static IP** option button to assign a static IP address, and enter the following information in the appropriate fields:
  - IP Address
  - Subnet Mask
  - Default Gateway
2. Click **OK**.

### 4.5 Host Port

Click the **Host Port** link on the navigation bar to display the Host Connection Configuration screen where you can select the appropriate settings for the Primary Host Port and Alternate Host Port:



**Note:** Some of the fields change dynamically depending on the Connection Type selected.

### IP Server Connection Type

Figure 8: PRO3200 Host Port Configuration Screen with IP Server Connection

## Host Connections Configuration

---

PRO3200 Communication Address: 1

**Primary Host Port**

Connection Type: IP Server      Data Security: None

Port Number: 3001

Allow All       Authorized IP Address Required

Authorized IP Address:      

**Alternate Host Port**

Connection Type: Serial-RS232      Data Security: None

Baud Rate: 38400      Flow Control: None

OK

1. From PRO3200 Communication Address drop-down list, select one of the eight (0 to 7) available **communication addresses** for the PRO3200 board.



**Note:** In the previous panels, this selection was made manually by setting the DIP switches.

2. For the **Primary Host Port**, make the following selections:
  - a. **Data Security.** Select one of the following:
    - **None**
    - **Password/AES** from the drop-down list. If you select **Password/AES**, communications between the WIN-PAK Host and the PRO3200 panel are encrypted. Note that encryption must be enabled in WIN-PAK for the appropriate WIN-PAKchannel. See Chapter 7, “Hardware Configuration,” in the *WIN-PAK Guide* for channel encryption instructions.
  - b. **Port Number.** Enter the port number through which the host computer can communicate with the PRO3200 board.
  - c. Select either **Allow All** or the **Authorized IP Address Required** option button.
    - **Allow All**, as the label suggests, allows all IP addresses to communicate with the PRO3200. Select this option for web page browser access.
    - If you select the **Authorized IP Address Required** option, also enter in the **Authorized IP Addresses** fields all the IP addresses that would be allowed to communicate with the PRO3200. Use this option only for Host communication.
3. For the **Alternate Host Port**, make the following selections:
  - a. **Connection Type.** Select one of the following values from the drop-down list: **IP Server**, **Serial-RS232**, **Serial-RS485**, **Serial-Modem**. Note that the **IPClient** option is listed, but it is not supported by the panel and should not be selected.
  - b. **Data Security.** Select one of the following values from the drop-down list: **None**, **Password/no AES**, **Password/AES**.
  - c. Select a **Baud Rate** from the drop-down list.
  - d. Select a **Flow Control** from the drop-down list.
4. Click **OK**.

## IP Client Connection Type

Figure 9: PRO3200 Host Port Configuration Screen with IP Client Connection

### Host Connections Configuration

---

PRO3200 Communication Address:

**Primary Host Port**

Connection Type:	<input type="text" value="IP Client"/>	Data Security:	<input type="text" value="None"/>
Host IP:	<input type="text"/>	Port Number:	<input type="text"/>
Connection Mode:	<input type="text" value="Continuous"/>	Retry Interval:	<input type="text" value="5sec"/>

**Alternate Host Port**

Connection Type:	<input type="text" value="Disabled"/>	Data Security:	<input type="text" value="None"/>
------------------	---------------------------------------	----------------	-----------------------------------

---



**Note:** The PRO3200 panel does not currently support an IP Client connection.

## Serial-RS232, Serial-RS485, Serial-Modem, or Serial-CoBox Connection Types

Figure 10: PRO3200 Host Port Configuration with Serial RS-232 Connection

### Host Connections Configuration

---

PRO3200 Communication Address:

**Primary Host Port**

Connection Type:       Data Security:

Baud Rate:       Flow Control:

**Alternate Host Port**

Connection Type:       Data Security:

---

1. From the PRO3200 Communication Address drop-down list, select one of the eight (0 to 7) available **communication addresses** for the PRO3200 board.
2. For the **Primary Host Port**, make the following selections:
  - a. **Connection Type**. From the drop-down list, select Serial-RS232. Select one of the following as appropriate: **Serial-RS232**, **Serial-RS495**, **Serial-Modem**.
  - b. **Data Security**. Select one of the following values from the drop-down list: **None**, **Password/no AES**, **Password/AES**.
  - c. Select a **Baud Rate** from the drop-down list.
  - d. Select a **Flow Control** from the drop-down list.
3. Click **OK**.

## 4.6 Device Information

Click the **Device Info** link on the navigation bar to display the read-only Access Control Device Hardware Information screen:

Figure 11: PRO3200 Web Server Device HW Info Screen

The screenshot displays the Honeywell Access Control Device Server Configuration Manager web interface. The top header features the Honeywell logo on the left and the title "Access Control Device Server Configuration Manager" on the right. A navigation menu on the left side includes links for Home, Network, Host Comm, Device Info (which is highlighted), Users, Auto-Save, Restore/Default, Apply Settings, Load Certificate, and Log Out. The main content area is titled "Device Info" and is divided into two columns of hardware specifications.

Device Info	
Product ID-Version: 41-12	CPU: 59MHz Part ID-0x20 Part Revision-1
Hardware ID-Revision: 122-0	Memory: SRAM 1MB, SDRAM 32MB
Serial Number: 0000001	Flash 16MB, ID 0x890018
Firmware Revision: 2.6.2 (359)	I2C Bus Devices: RTC is present EEPROM 256Bytes
OEM Code: 3328	Serial Ports: Port 1: Host Communication Port 2: SIO Communication
Ethernet: 10/100 Mbps	Battery: OK
MAC Address: 00:40:84:13:A9:17	Dip Switch: 1 2 3 4 ON OFF OFF OFF
Operating Mode: Normal	Powerup Diagnostics: 32 (.S.....)
IPv4 Address: 199.63.161.59	
IPv6 Addresses: fe80::240:84ff:fe13:a917	
DHCP Host Name: MAC00408413A917	
Time: - Local Time: 10-09-2013 Wednesday 20:19:36 - GMT Time: 10-10-2013 Thursday 04:19:36 (+28800)	

## 4.7 User Configuration

Click the **Users** link on the navigation bar to display the User screen where you can add, edit, and delete user records:

Figure 12: PRO3200 Web Server User Info Screen

**User**

---

Username	Level	Notes
<input type="checkbox"/> PRO3200	1	
<input type="checkbox"/> admin	1	
<input type="checkbox"/> macyt	1	
<input type="checkbox"/> rolandm	2	intern
<input type="checkbox"/> forrestl	1	contractor
<input type="checkbox"/> listerp	1	tech support

---

Session Timer

---

Disable Auto-Save

Enable Auto-Save

### Adding a User

Follow these steps:

1. Click **New Account** to display the new user account screen.
2. Enter the following:
  - User name – a unique character string that identifies the user.
  - Level – level of privileges the user will have. Level 1 grants the user read/write privileges to all panel features; level 2 grants the user read-only privileges to the Notes, Network, Host Port, and Device Info features; level 3 grants the user read-only privileges to just the Notes and Device Info features.

3. Specify the maximum period of time a session will remain open without user activity. If the period expires without user activity, the user is logged out. After specifying the time period, click **Save Session Timer** to save the setting.
4. Configure the auto-save timer. This feature, if enabled, automatically saves the hardware configuration in non-volatile Random Access Memory (RAM) at the specified time interval. If you select Enable Auto-Save, then select a time interval from the drop-down list, and click **Save Auto-Save Timer** to save the setting.

### **Editing a User**

To edit a user record, click to select the user from the Username column and then click **Edit**. Use the information provided in the previous section, “Adding a User,” to edit the record.

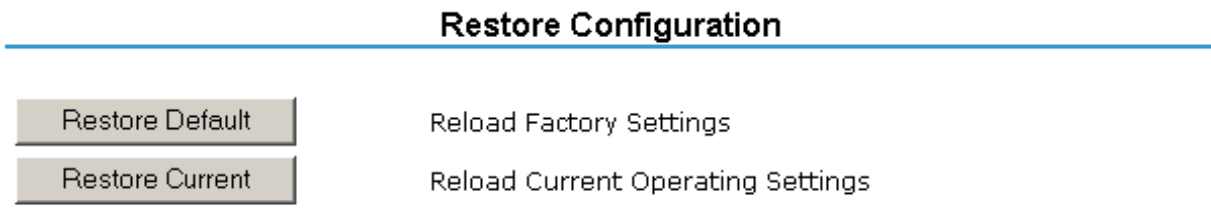
### **Deleting a User**

To delete a user record, click to select the user from the Username column and then click **Delete**.

## **4.8 Restore Default Screen**

Click the **Restore Default** link on the navigation bar to restore the default configuration values for the PRO3200:

*Figure 13: PRO3200 Web Server Restore Default Screen*



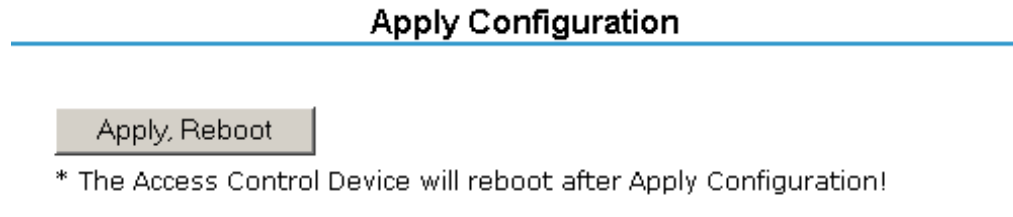
1. Click **Restore Default** to reload the default factory settings for all the configuration variables.
2. Click **Restore Current** to reload the current operational settings for all the configuration variables.



## 4.9 Apply Setting Screen

Click the **Apply Setting** link on the navigation bar to apply the selected configuration values:

Figure 14: PRO3200 Web Server Apply Setting Screen



Click **Apply, Reboot** to apply all the configured values and reboot the PRO3200.

## 4.10 Log Out

Click the **Log Out** link on the navigation bar to log out of the web server.



**For more information:** [www.honeywellaccess.com](http://www.honeywellaccess.com)

**Honeywell Access Systems**

135 W. Forest Hill Avenue  
Oak Creek, WI 53154  
414-766-1700  
414-766-1798 Fax

**European Office**

Boblingerstrasse 17  
D-71101 Schonaich  
Germany  
49-7031-637-782  
49-7031-637-769 Fax  
[www.honeywell.com](http://www.honeywell.com)

Specifications subject to change  
without notice.

© 2013 Honeywell. All rights reserved.  
800-15494

**Honeywell**