

## Rapid Eye™ Active Alert®

[www.honeywellvideo.com](http://www.honeywellvideo.com)

The family of Rapid Eye™ Multi-Media DVRs is more versatile than ever. Four powerful hardware platforms are perfect for a diverse range of installations. The flagship Rapid Eye Multi-Media DSP v8 offers 16-channel real-time recording and live local viewing. The newest addition is Rapid Eye Active Alert that combines video analytics with the Multi-Media DSP platform. The Rapid Eye Multi-Media v7 is a more economical 16-channel system that's ideal for remote applications with a large number of installations that require remote management and event driven recording. The Rapid Eye Multi-Media LT v7 offers the same software features in a smaller, more economical configuration for four or nine cameras. Together, the Rapid Eye family offers seamless remote operation as well as unprecedented flexibility to meet virtually any needs.

Rapid Eye™ Active Alert uses the power of the Multi-Media DSP DVR platform along with video analytics to create a single box event-driven recording and video analytics solution. This creates a true video analytics solution for companies requiring analysis of multiple channels of video without the need to invest in additional hardware such as video analytics servers and workstations.

### Market Opportunities

Rapid Eye Active Alert keeps all\* advanced remote interface capabilities of Rapid Eye Multi-Media DSP, so it can address all traditional DVR market needs. Plus, with its intelligent video analytics capabilities, Rapid Eye Active Alert is ideal for:

- Customers with multiple remote sites and multiple users recording live and/or recorded video, audio and data alarm central monitoring station offering video verification
- Banking and financial institutions (e.g., ATMs)
- Retail sites
- Convenience store retail chains
- Educational institutions
- Fast food franchises
- Utilities

\* Rapid Eye Active Alert is designed as a remote access unit; therefore, no advanced local user interface is provided.

### Features

- Up to 8 channels of embedded intelligent video analytics
- Enables user-defined event and alarm settings for each camera view
- Remote Client allows full distributed system access regardless of location
- Generate video analytics alarm reports automatically and on a scheduled basis
- Powerful search tools offer an instantaneous method of searching and locating video



The system consists of three major components:

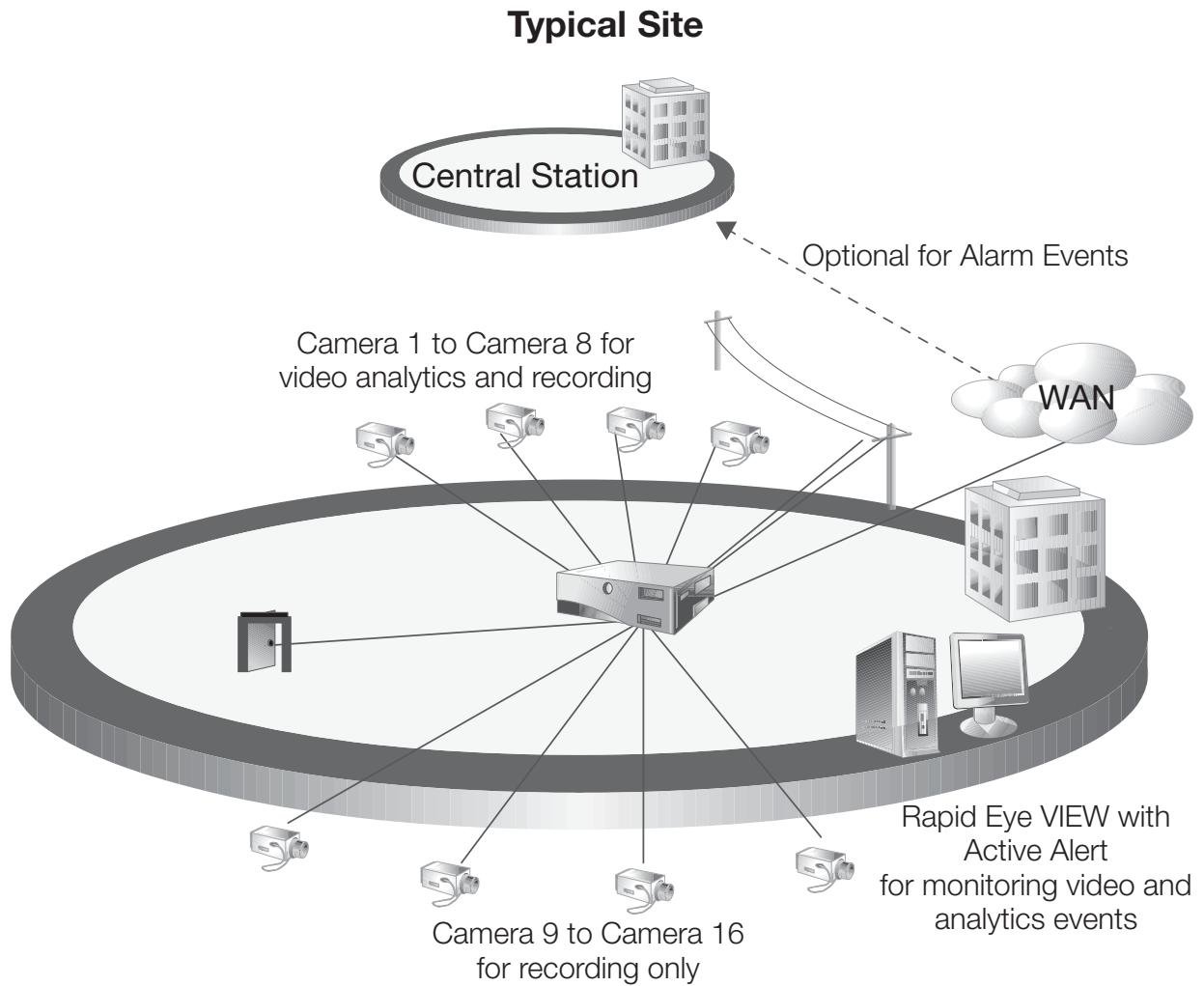
- **Digital Video Recorder**, featuring DSP-powered hardware capable of capturing video at 4CIF, 2CIF and CIF resolutions at up to 30 IPS (real time) per camera depending on the selected recording resolution.
- **ADMIN Software**, the workstation/server-based administration tool capable of enterprise-wide site and user management.
- **VIEW Software**, a feature-rich, workstation-based remote operator program with integrated support for video analytics – Active Alert® Live, Active Alert® Forensics, Active Alert® Reporting and Active Alert® Setup.

The availability of such powerful combination of tools such as ADMIN, VIEW and Active Alert combined with the DSP-powered DVR truly differentiates Rapid Eye Active Alert from the competition.

Some functionality related to the video analytics includes:

- One to eight channels of Active Alert video analytics (activated by license key)
- Ability to license each channel to a different package of video analytics
- Ability to configure video analytics remotely
- Ability to program automated DVR responses based on Active Alert alarms
- Ability for Active Alert to intelligently ignore lighting changes as well as outdoor environmental noise
- Ability to generate video analytics alarm reports automatically and on a scheduled basis
- Ability to search Active Alert alarms and events via remote forensics tools

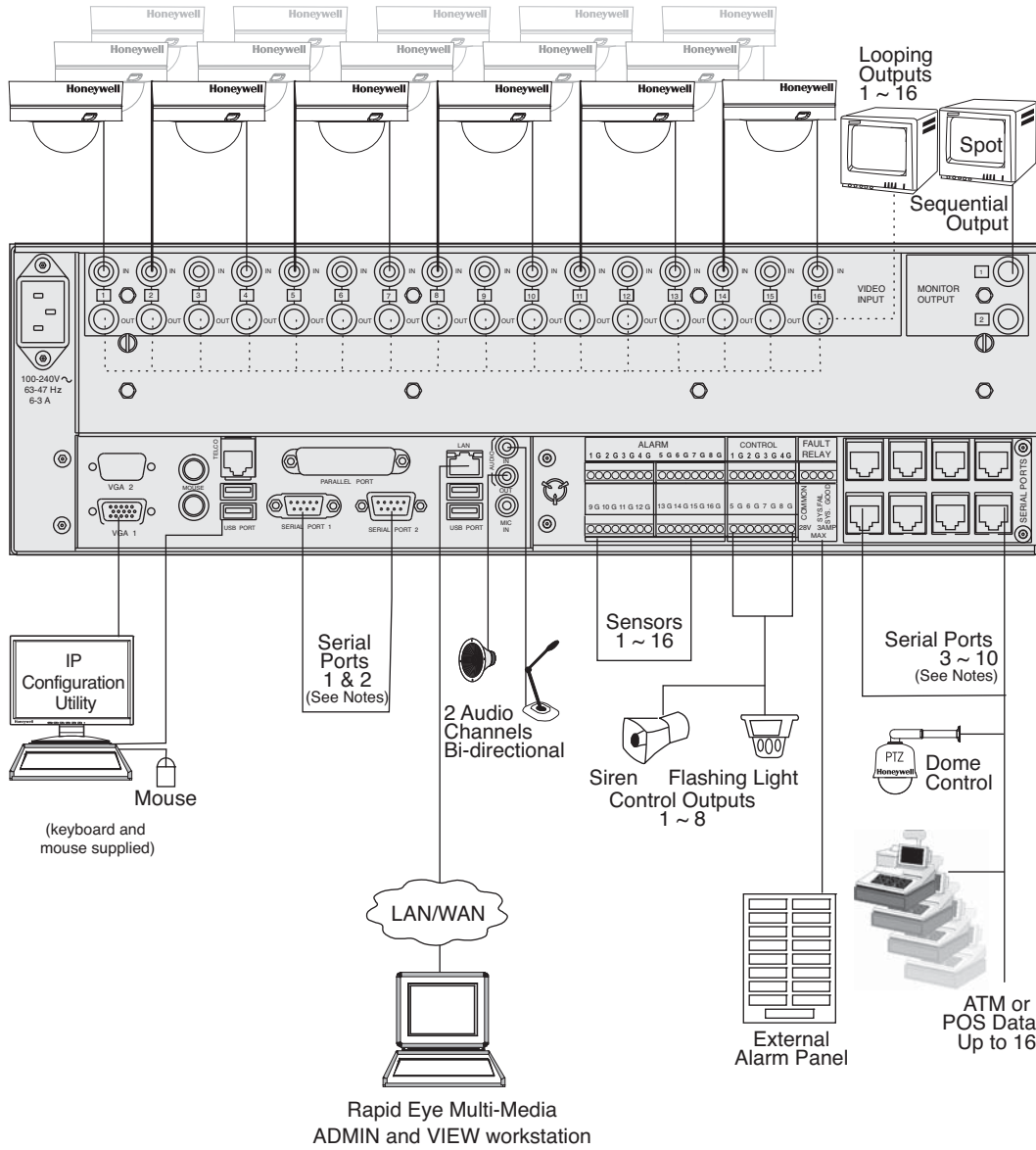
## SYSTEM DIAGRAM



# Rapid Eye™ Active Alert®

www.honeywellvideo.com

## SYSTEM DIMENSIONS



## SPECIFICATIONS

Rapid Eye VIEW Software	
Sessions Maximum per RU	Live video (all users) 32 streams
Video Retrieval	(all users) 32 streams
Users Viewing Live Video (and activating outputs)	10 sessions
Users Retrieving Video	10 sessions
Users Accessing Events	10 sessions
Users Accessing Alarms	10 sessions
Users Accessing Maintenance	1 session
Recorder Unit	
Video Standard	NTSC/EIA or PAL/CCIR
Video Format	160 x 120, 320 x 240, 640 x 240, 640 x 480, 704 x 480 (NTSC) 192 x 144, 384 x 288, 704 x 288, 704 x 576 (PAL)
Colors	24-bit true color
Recording and Transmission Compression Algorithm	Modified H.261/263 (REM proprietary)
Record Mode	(FIFO) Continuous buffer
Video Recording Capacity	250 GB - 2.25 TB
Recording Rate	480/400 CIF global (NTSC/PAL)
Video Quality Settings	6 - 10 (low - high)
Video Motion Detection	Configurable to sense mass and motion multiple within regions of interest
Video Motion Search	Configurable post event motion search within multiple regions of interest
POS/ATM or Alarm Data	16 streams (max)
Event Recording and Reporting	Session, System, Inputs, Outputs, Video, Motion and POS/ATM data
Mass Storage	Power Off "Cold Swap" 4 – Field-upgradeable hard drive
Removable Media	Power Off "Cold Swap" 1 – Field replaceable DVD-RW bay
Front Panel Control and Display Module (Lockable Front Panel)	Power Switch, 3 Status LEDs 2 x 16 Status LCD
SNTP Client	Synchronize DVR to SMTP servers
DHCP Enabled	Network support for DHCP, WINS or DNS name servers
TCP/IP Port Forwarding	Multiple DVRs share same IP Address
PTZ Dome Control	
Local	Mouse control only
Remote	Mouse control and configuration
Protocols Support	7 major protocols, over 50 using Bossware (requires additional hardware)

Rear Panel Connections	
Video Input	16 Looping, BNC 1.0 Vp-p @ 75 Ohms
Video Output	1 Spot or switcher, BNC 1.0 Vp-p @ 75 Ohms
Audio Input/Output	2 Line level, 3.5 mm jack
Alarm/Control Inputs General Purpose	16 TTL or 12V level compatible user configurable NO, NC, EOL 3.5 mm terminal block
Control Outputs	8 TTL or 12V open collector TTL @ +15 mA /-100 mA 12V @ -100 mA current sink 3.5 mm terminal block
Fault Relay	DPDT Form C relay 28V, 3 A
Serial Ports	2 RS-232 DB9 (M) 8 RS-232/422/485 RJ-45
Modem/Telco	V.90 multi-protocol Standard RJ-11 Interface
Networking	10/100 base T Ethernet, Standard RJ-45 Interface
VGA Outputs	800 x 600 monitor Local IP Configuration Utility
AC Power	100-240 VAC 50/60 Hz IEC-320 connector Regional power cord included
Electrical	
Input Voltage	115 - 240 VAC, 60 - 50 Hz
Operating Voltage	115V/230V Auto sensing
Power Consumption	350 W
Mechanical	
Dimensions (W x H x D)	17.3" x 5.23" (3U) x 18.8" 440 mm x 133 mm x 478 mm
Weight	Unit: 43 lb (19.5 kg) Shipping: 55 lb (25 kg)
Construction	Housing: Steel chassis Finish: Black matte paint
Environmental	
Temperature	Operating: 40°F to 105°F (5°C to 40°C) Storage: 14°F to 150°F (-10°C to 65°C)
Relative Humidity	0% - 90%, non-condensing
Regulatory	
Emissions	FCC: Part 15, Class B CE: EN61000-6-3:2001 CE: EN61000-3-2:2000
Immunity	CE: EN50130-4:1995 +A1:1998
Safety U.S. and Canada International	UL, cUL Listed UL 60950-1:2003 IEC/EN 60950-1:2001 CB report and certificate

# Rapid Eye™ Active Alert®

www.honeywellvideo.com

## SPECIFICATIONS

Honeywell's video analytics is offered in five packages including three Active Alert packages, Smart Impressions and People Counter, each of which enables a different set of detectable events.

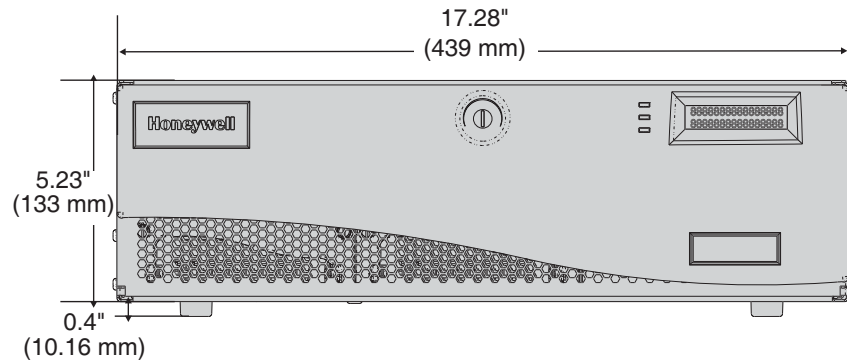
	Honeywell Video Analytics				
	Active Alert Base	Active Alert Standard	Active Alert Premium	People Counter	Smart Impressions
<b>PEOPLE EVENTS</b>					
person entered restricted area	X	X	X		
person exited restricted area	X	X	X		
person loitering in restricted area		X	X		
person started moving in wrong direction	X	X	X		
person stopped moving in wrong direction	X	X	X		
person on fence line		X	X		
person started running			X		
person stopped running			X		
people converged (use to people talked)		X	X		
people passed by		X	X		
person trespassing--tripwire	X	X	X		
person running in wrong direction			X		
<b>CAR TRAFFIC EVENTS</b>					
car started moving in wrong direction	X	X	X		
car stopped moving in wrong direction	X	X	X		
car entered restricted area	X	X	X		
car parked in restricted area		X	X		
car speeding			X		
car made illegal u-turn		X	X		
car parked in handicapped zone		X	X		
car pulled off road		X	X		
car needs assistance		X	X		
car exited restricted area	X	X	X		
car trespassing--tripwire	X	X	X		
<b>VIDEO/CAMERA EVENTS</b>					
video signal lost	X	X	X	X	X
video signal restored	X	X	X	X	X
camera sabotage features	X	X	X	X	X
<b>COUNTING EVENTS</b>					
person counted as entering		X	X	X	X
person counted as exiting		X	X	X	X
car entered lot		X	X		X
car exited lot		X	X		X
car counted in lane			X		X
<b>PREMIUM EVENTS</b>					
object left unattended			X		
object removed			X		
possible theft			X		
<b>SMART IMPRESSIONS ONLY</b>					
entering target zone [merchandizing]					X
staying in target zone [dwell time]					X

# Rapid Eye™ Active Alert®

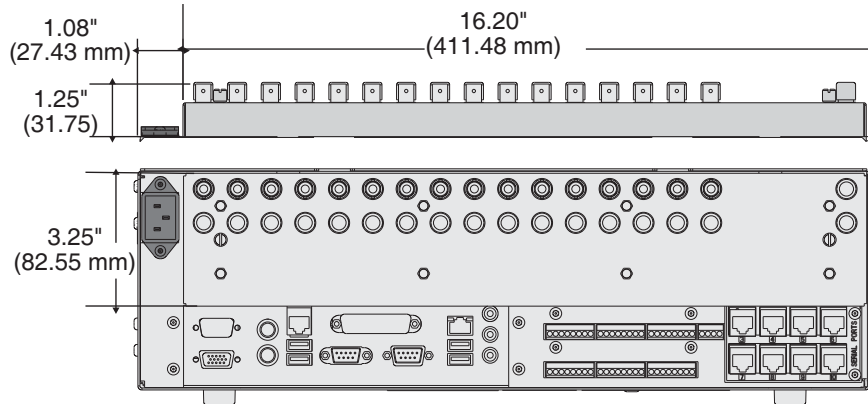
www.honeywellvideo.com

## SYSTEM DIMENSIONS

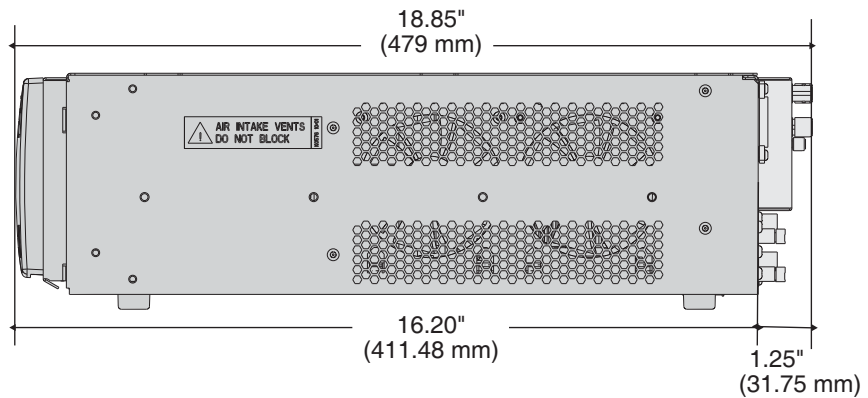
Front View



Back View



Side View



## ACCESSORIES AND ORDERING

DVRs	
HRM16BR8A2T2	DVR, REAA, 16 CH, 480 CIF, UP TO 8 CH ANALYTICS, 2.25 TB VIDEO, 750 GB ANALYTICS/SYSTEM
HRM16BR8A1T5	DVR, REAA, 16 CH, 480 CIF, UP TO 8 CH ANALYTICS, 1.5 TB VIDEO, 500 GB ANALYTICS/SYSTEM
HRM16BR8A750	DVR, REAA, 16 CH, 480 CIF, UP TO 8 CH ANALYTICS, 750 GB VIDEO, 250 GB ANALYTICS/SYSTEM
HRM16BR8A250	DVR, REAA, 16 CH, 480 CIF, UP TO 8 CH ANALYTICS, 250 GB VIDEO, 250 GB ANALYTICS/SYSTEM
HRE16BR8A2T2	DVR, REAA, 16 CH, 400 CIF, UP TO 8 CH ANALYTICS, 2.25 TB VIDEO, 750 GB ANALYTICS/SYSTEM
HRE16BR8A1T5	DVR, REAA, 16 CH, 400 CIF, UP TO 8 CH ANALYTICS, 1.5 TB VIDEO, 500 GB ANALYTICS/SYSTEM
HRE16BR8A750	DVR, REAA, 16 CH, 400 CIF, UP TO 8 CH ANALYTICS, 750 GB VIDEO, 250 GB ANALYTICS/SYSTEM
HRE16BR8A250	DVR, REAA, 16 CH, 400 CIF, UP TO 8 CH ANALYTICS, 250 GB VIDEO, 250 GB ANALYTICS/SYSTEM

\*Each order of one of the DVR part numbers must be accompanied with an order for at least one channel add-on license of Honeywell Video Analytics listed below.

Add-On Licenses	
HAABR	Active Alert Base License for Rapid Eye (Single Channel Add-On License)
HAASR	Active Alert Standard License for Rapid Eye (Single Channel Add-On License)
HAAPR	Active Alert Premium License for Rapid Eye (Single Channel Add-On License)
HAACR	Active Alert People Counter License for Rapid Eye (Single Channel Add-On License, does not include Car Counting)
HASIR	Active Alert Smart Impressions License for Rapid Eye (Single Channel Add-On License)

Software	
HRM8ADMIN (Included)	ADMIN & VIEW Software CD and User Manuals, single workstation license
HRM8VIEW	VIEW Software CD and User Manuals, single workstation license
HRM8CLIP	Rapid Eye Clip Player for Windows Software CD

Spare Hard Drives	
<b>Hard drive only (blank) in packaging</b>	
HRPK9479-250	Hard drive, 3.5", IDE, 250 GB
HRPK9479-500	Hard drive, 3.5", IDE, 500 GB
HRPK9479-750	Hard drive, 3.5", IDE, 750 GB
<b>Hard drive (blank) in frame for 16 ch REMM, REMM DSP and REAA</b>	
HRMHD250G	Hard drive expansion REMM, 250 GB, 1562 cam days, in frame
HRMHD500G	Hard drive expansion REMM, 500 GB, 3125 cam days, in frame
HRMHD750G	Hard drive expansion REMM, 750 GB, 4687 cam days, in frame
<b>Hard drive (system pre-installed) in frame v8.1 for Rapid Eye Active Alert units ONLY! Not usable/interchangeable with Rapid Eye DSP units.</b>	
HRMHD250GA8	Hard drive program for REAA units v8.1, 250 GB, in frame
HRMHD500GA8	Hard drive program REAA units v8.1, 500 GB, in frame
HRMHD750GA8	Hard drive program REAA units DSP v8, 750 GB, in frame

### Honeywell Security & Data Collection

Honeywell  
 2700 Blankenbaker Pkwy, Suite 150  
 Louisville, KY 40299  
 1.800.796.CCTV (2288)  
 www.honeywell.com

L/REAAD/D  
 March 2009  
 © 2009 Honeywell International Inc.

