

Data Port Expander

Video BloX

ADEMCO Video's Data Port Expander provides additional RS422 ports for the connection of keyboards and Protocol Interface Translators (PITs). This capability greatly enhances the ease of installation of the system – now devices can have “home run” wiring, directly connecting keyboards and PITs to the RS422 channels.

Simple “pin to pin” wiring using 9-pin, male-to-male connectors eliminates cable confusion, cutting installation labor and reducing costs.

The data port expanders are also repeaters – extending the distance of RS422 communications beyond the standard 4,000 feet. Multiple data port expanders can be cascaded to form longer cable lengths.



DPE

FEATURES:

- Stainless steel finish
- Rack mounted configuration
- Communication LEDs
- Each port supports up to 32 devices
- Each port supports wire lengths of 4,000 feet

ADEMCO
VIDEO

Data Port Expander

Video BloX

FEATURES:

RS422 Communications

The standards for RS422 communications stipulate a maximum of 32 devices and a wire length of a maximum 4,000 ft. The Data Port Expander provides multiple RS422 ports – each supporting 32 devices and each having a 4,000 ft wire length.

Power Distribution

The Data Port Expander is powered by external power. This power is distributed through the RS422 ports to the connected devices, eliminating the requirement for local power at the device.

Isolation

The Data Port Expander isolates the individual RS422 channels so that should any of the channels be “locked” then it will be disabled to prevent it interfering with other channels.

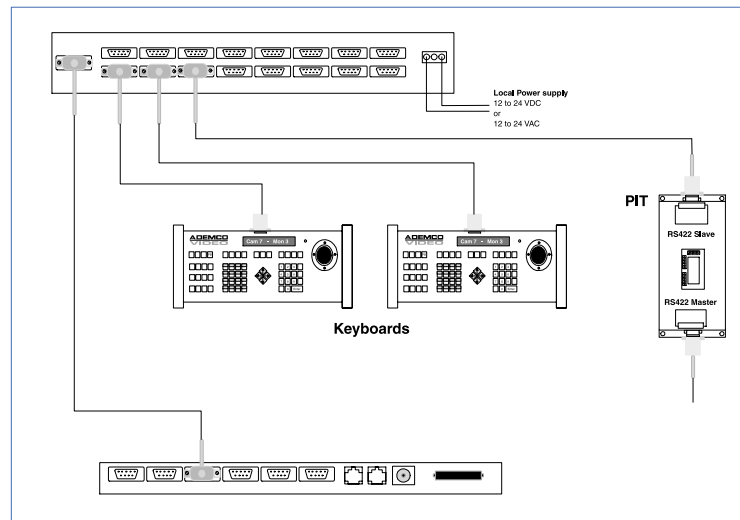
LED Indicators

Diagnostic LEDs are provided for:

- Power
- Transmit Data – common to all channels
- Transmit Enable – common to all channels
- Receive Activity – independent for each channel
- Receive Data fault – independent for each channel

SPECIFICATIONS:

- Dimensions: (standard 19" Rack Mount)
 - Height: 1U (1.75")
 - Depth: 6.0"
- Power Requirements:
 - External Power Connection: 12 to 24 VAC or 12 to 24 VDC
- Operating Temperature: 0° to 40° C



ORDERING:

Part No.	Description
AVB422FT8	8 RS422 Ports
AVB422FT16	16 RS422 Ports

DPE

ADEMCO VIDEO

Sales800-467-5875
Applications877-653-0302
Technical Support . .800-645-7492
Fax516-921-0491
Web site: www.ademcovidéo.com

171 Eileen Way, Syosset, NY 11791
Copyright ©2002 Pittway Corporation

ADEMCO
VIDEO